

4

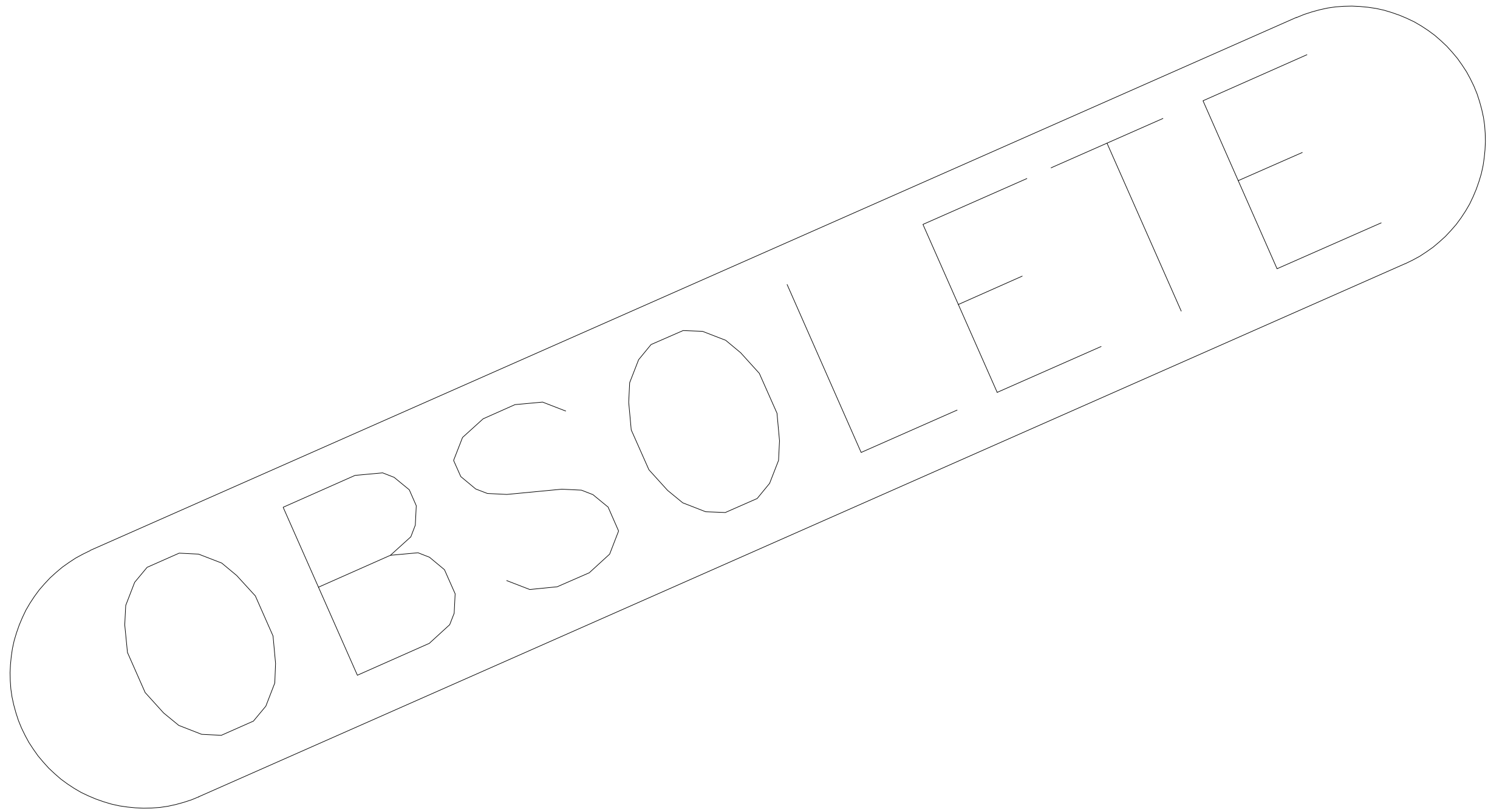
3


2

1

THIS DRAWING IS UNPUBLISHED. RELEASED FOR PUBLICATION - , - .
 © COPYRIGHT - By - ALL RIGHTS RESERVED.

LOC		DIST		REVISIONS			
P	LTR	DESCRIPTION		DATE	DWN	APVD	
-	-	-	-	OBSOLETE ALL PARTS	27JUL2015	I.T	W.H



THIS DRAWING IS A CONTROLLED DOCUMENT.		DWN	-	 TE Connectivity				
DIMENSIONS: mm		CHK	-					
TOLERANCES UNLESS OTHERWISE SPECIFIED:		APVD	-	NAME				
0 PLC ± - 1 PLC ± - 2 PLC ± - 3 PLC ± - 4 PLC ± - ANGLES ± -		PRODUCT SPEC	108-57578		BOARD TO BOARD CONNECTOR 0.5MM FINE MATE			
MATERIAL		APPLICATION SPEC	-		SIZE	CAGE CODE	DRAWING NO	RESTRICTED TO
FINISH		WEIGHT	-		A3	00779	C- -	-
CUSTOMER DRAWING				SCALE	1:1	SHEET	1 OF 1	REV
				-				